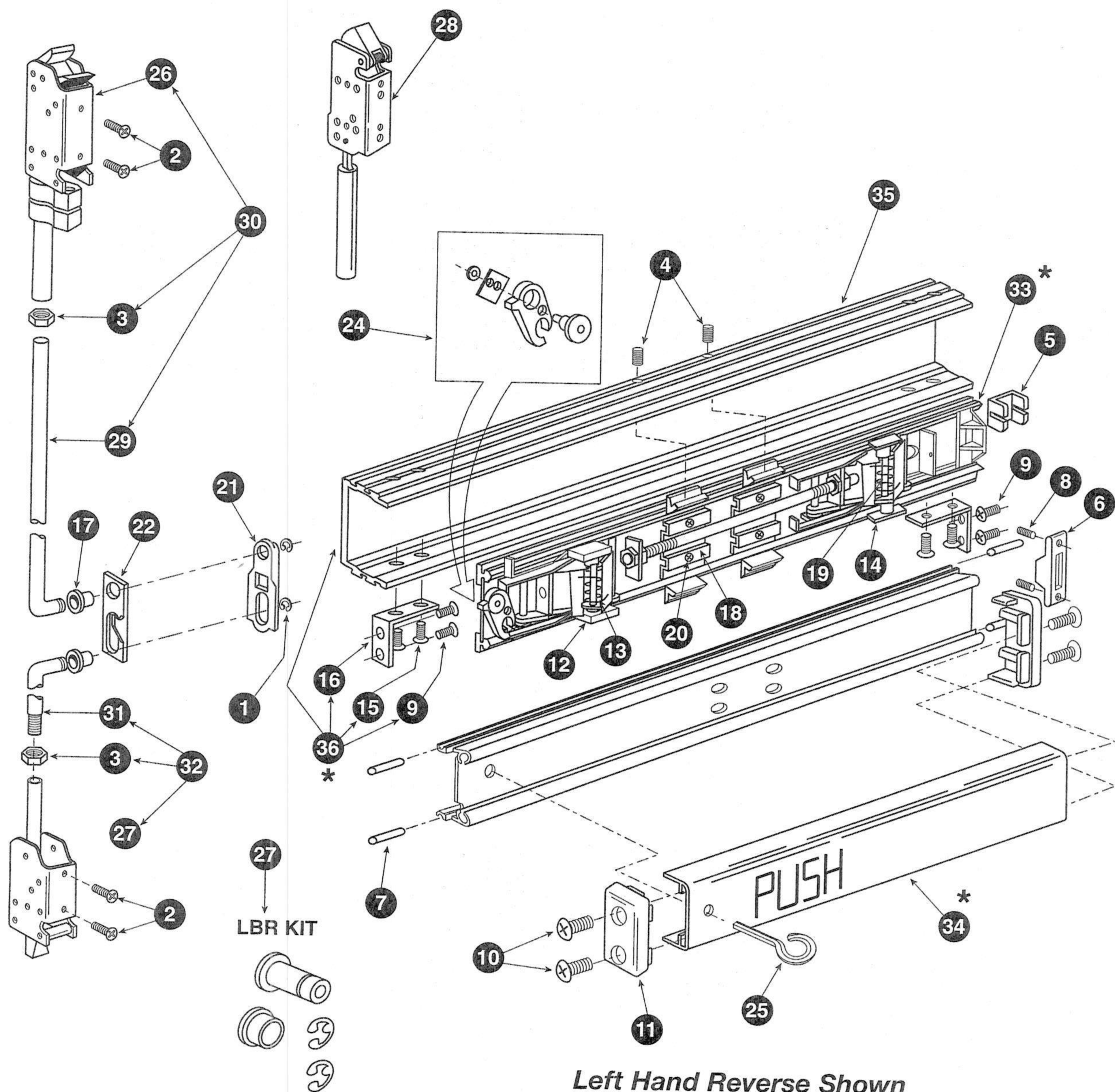


# 1390 Series



Left Hand Reverse Shown

# 1390 Series

(For Devices shipped after January 1990.)

	Model No.	Description	Part No.	Finish
1	PB4	Retaining Ring .250	RRING.101	
2	PB17	10-32 1/4" UFPHMS Screw	SCREW.1028	US32D
		10-32 1/4" UFPHMS Screw	SCREW.1029	BLACK
3	PB23	Jam Nut	NUT.101	-
4	PB26	10-32 3/8" Soc.Set Cone Screw	SCREW.1017	-
5	PB27	Anti-Torque Bracket Clip	CLIP.101	-
6	PB28	Anti-Torque Bracket	4270109079	-
7	PB29	Push Plate Guide	GUIDE.108	-
8	PB31	10-32 X 1/2" Soc.Set Screw	SCREW.1011	BLACK
9	PB32	8-32 1/2" FPHTC UC2 Screw	SCREW.1009	-
10	PB34	10-24 3/4" FL Hex Soc Screw	SCREW.1018	BLACK
11	PB40	Push Bar End Cap	4270106002	-
12	PB41	Nylon Washer 3/16"	WASHER.113	-
13	PB43	Spring	4270106635	-
14	PB44	Axle Slide Bar	BAR.500	-
15	PB45	8-32 3/8" FPHSMS Screw	SCREW.1033	-
16	PB46	Angle Bracket	4204100819	-
17	PB47	Rod Bushing	BUSH.104	-
18	PB74	1390 Mounting Bracket	4270105968	-
19	PB75	Axle Pin (Baseplate)	PIN.126	US32D
20	PB76	10-32 5/8" PHTHMS UF2 Screw	SCREW.1014	-
21	PB85	Recessed Lift Bracket	4270106370	-
22	PB86	Lift Bracket LHR	4270105945	-
	PB86	Lift Bracket RHR	4270105946	-
23	PB87	LBR Kit	KIT.1007	-
24	PB96	Dogging Kit	4270106669	-
	PB97	Slotted Dogging Kit (not shown)	4270107136	-
25	PB98	Hex Dogging Key 9/32"	4270103867	-
26	PB128	Top Latch Assembly	4270105926	-
27	PB129	RL Bottom Latch	4270100521	-
28	PB131	ES Top Latch	4270100346	-
29	△●	Top Rod 7' Dr.	-	-
30	△●	Top Rod Assembly 7' Dr.	-	-
31	◆	Bottom Rod	-	-
32	◆	Bottom Rod Assembly	-	-



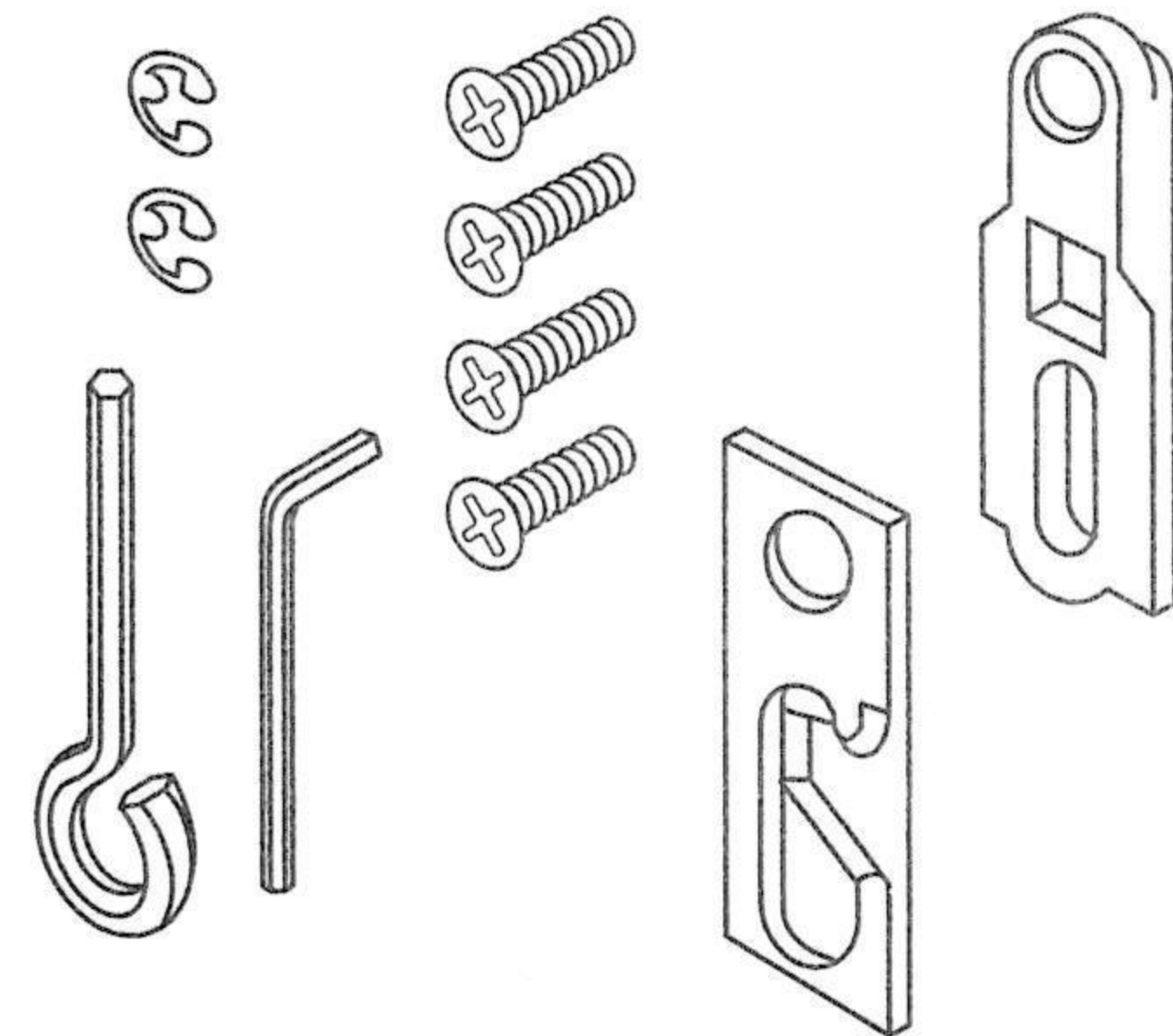
# 1390 Series

## PBX-11 LHR

Part No.	4270105983	US28
	4270105996	DC35

## PBX-12 RHR

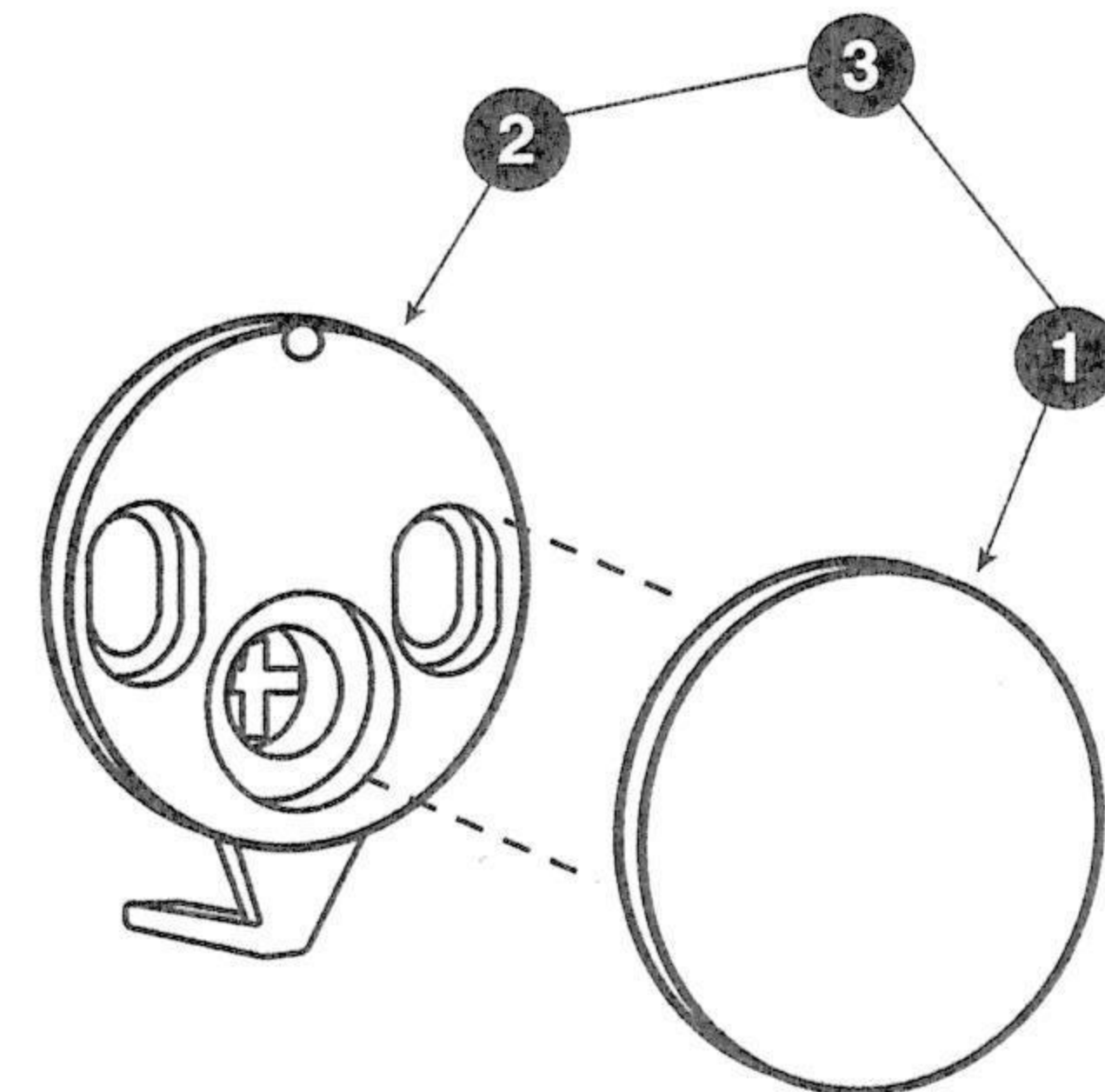
Part No.	4270105984	US28
	4270105997	DC35



## Cylinder Adaptor & Cover

Model No.	Part No.		Finish
1 CA1	4270105947	-	P28
	4270105948	-	P13
	4270105949	-	P35
2 CA2	4270105944	1 3/4" Dr.	-
	CA3	4270105998	2" Dr.

## 1392/1395 Cylinder Assembly



## Cylinder Assembly

Model No.	Part No.		Finish
3 CA4	4270105950	1 3/4" Dr.	US28
	4270105951	1 3/4" Dr.	DC13
	4270105952	1 3/4" Dr.	DC35
CA4	4270106301	2" Dr.	US28
	4270106302	2" Dr.	DC13
	4270106303	2" Dr.	DC35

